

# TOWN <sup>Led::</sup> WALL



EXTERIOR | TOWN WALL

# Led:: TOWN WALL

## Technical characteristics

Luminaire with LED technology for use as public lighting and installation in urban environments. Its exclusive heat dissipation system is integrated into the design of the luminaire as one more element, providing it with an elegant and discreet style. Design: J. Ribaudi.

Ideal for lighting streets, avenues, residential areas, parks and gardens, car parks, pedestrian areas.

To install from 4 to 10m high.

Characteristic dimensions: 430 x 430 x 120 mm.

Maximum power 235W / Maximum flux 34800lm.

Luminaire composed of body and upper cover in aluminum alloy type EN AC 44300 with low copper content (<0.1%). Fixing to the wall on a special terminal by means of a short, medium or long arm.

Access to the equipment through the top cover, fixed to the body with M6 captive screws and silicone gasket.

Approx. weight: 14Kg.

IP66 / IK08 (IK10 optical group)

PMMA diffuser with high impact resistance or flat tempered glass.

Optical group with high efficiency LEDs in rectangular arrangement.

The LEDs fixed to the main body transmit heat by conduction, and the cooling radiator integrated in the body dissipates heat to the outside by convection extremely efficiently.

Set of independent lenses of our own design in optical PMMA with efficiency of up to 93%. Optionally, rear reflector for flux recovery in injected and aluminized PMMA with a high reflectivity index (95%). The wide range of lenses and reflectors available allows all photometric needs to be optimally solved.

Color temperature: 3000°K or 4000°K. Optionally for areas with environmental protection: amber filter, 2200°K or 2700°K.

FHS < 0.1%.

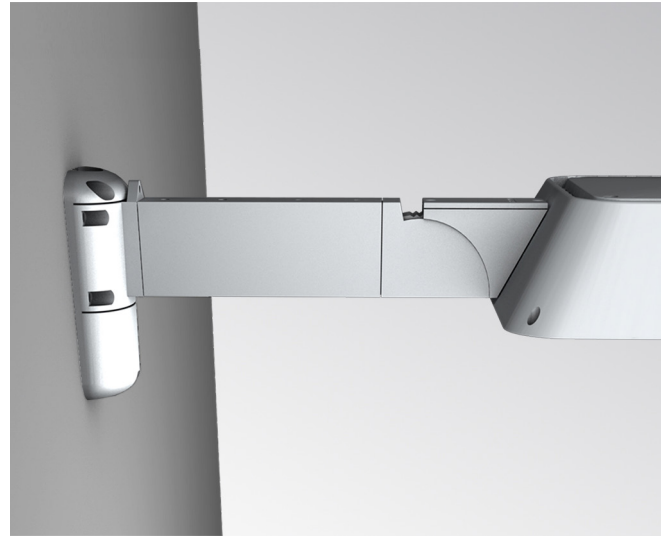
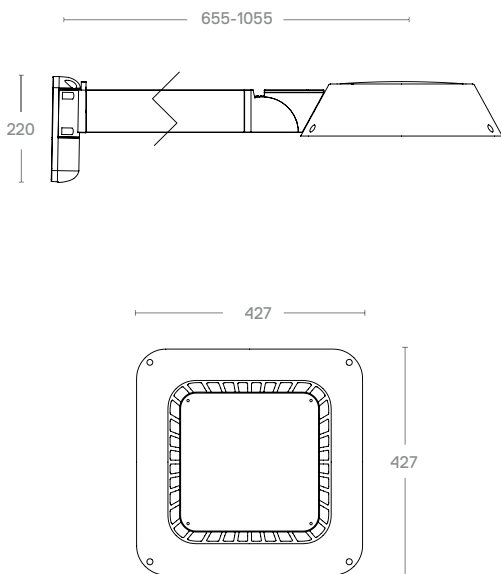
Minimum CRI 70.

Useful life: L90B10 > 100,000 h (consult depending on the type of LED and configuration).

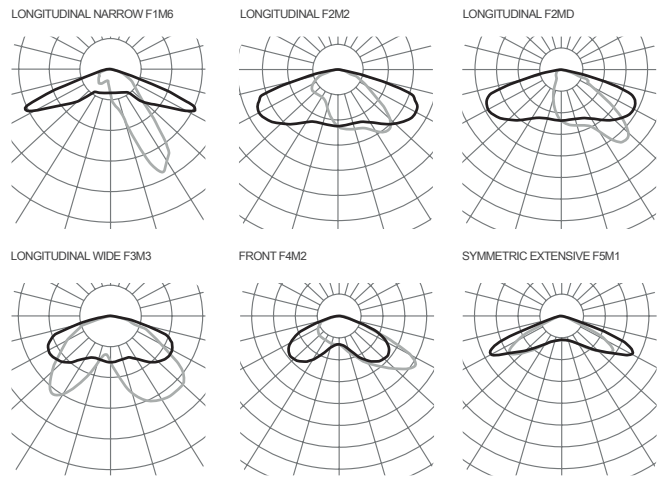
AC voltage 220V-240V ~ 50/60Hz. Class I / Class II optional.

Color Silver Gray G2. Other colors available.

Standards: IEC 60598, IEC 62031, IEC 62471, IEC 60529, EN 55015, IEC 61000, IEC 61547, IEC 62493, IEC 62471, IEC 61437, IEC 62384, EN 50102, CE, ISO9001, ISO14001, ISO45001.



## Photometries



Consult the product configurator for other options.

## Versions

PCB	3000K		4000K	
	mA	W	lm	lm/W
245	350	50	8880	177
	500	72	12240	170
	680	98	16080	164
10M	350	39	5900	151
	500	56	8000	142
	700	79	10800	136
15M	350	59	8850	150
	500	84	12000	142
	700	118	16200	137
20M	350	79	11800	149
	500	113	16000	141
	700	158	21600	136
20N	350	79	11800	149
	500	113	16000	141
	700	158	21600	136
24N	350	95	14160	149
	500	135	19200	142
	700	190	25920	136
30N	350	118	17700	150
	500	169	24000	142
	725	246	36300	147
24C	350	95	11520	121
	500	135	17040	126
	1500	407	42480	104
24D	350	95	11520	121
	500	135	17040	126
	750	203	26880	132
10W	350	38	4800	126
	500	55	7100	129
	1500	166	17700	106

